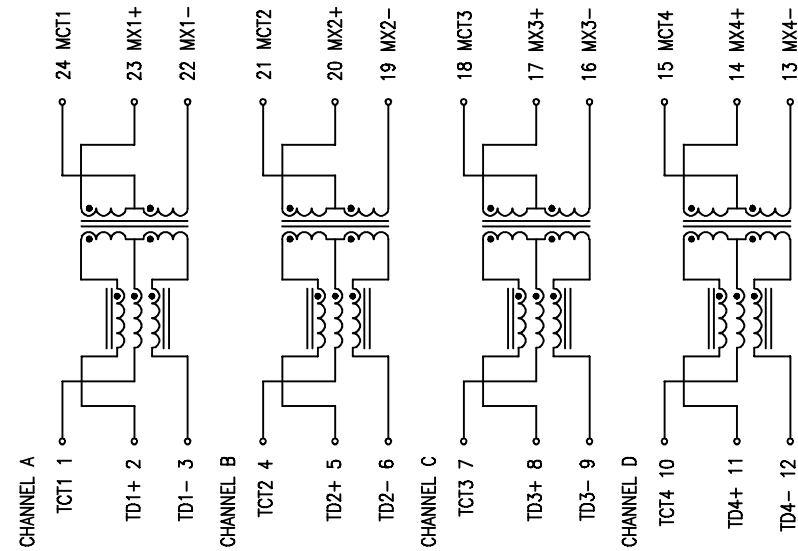


SUGGESTED PAD LAYOUT



ELECTRICAL CHARACTERISTICS :

- INSULATION HI-POT(PRI./SEC.) : 1500Vrms
- TURN RATIO ($\pm 5\%$) : TX = 1CT : 1CT , RX = 1CT : 1CT
- ACL : 350uH MIN. 100KHz/0.1V AT 8mA DC BIAS
- INSERTION LOSS (dB MAX.) : 0.3-1MHz 1-65MHz 65-100MHz
-1.1 -0.8 -1.0
- RETURN LOSS (dB MIN.) : 1-40MHz 40-100MHz
-18 -[12-20LOG(f/80MHz)]
- CROSS TALK (dB MIN.) : 0.3-100MHz
-[33-20LOG(f/100MHz)]
- DCMR(dB MIN) : 0.3-100MHz
-35
- CMRR(dB MIN) : 0.3-100MHz
-30
- RoHS COMPLIANT

							TITLE PoE SINGLE 1000 BASE-T	
							DWG. NO. ATPL-418R	
RELEASE					UNITS:		SAFETY	
NO: DESCRIPTION DATE BY CHK APPD					DATE		P/N:	
REVISIONS							SHEET 1 of 1	
							DRAW	